

# GREENTEK

## HEAT/ENERGY RECOVERY VENTILATORS

### RESIDENTIAL HEAT RECOVERY VENTILATORS - HRV

<u>CODE</u>	<u>MODEL</u>	<u>DESCRIPTION</u>	<u>LIST PRICE</u>
PH7.15	PH 7.15	Professional HRV 30-160 CFM Side Port	1118.82
PH10.22	PH 10.22	Professional HRV 50-220 CFM Side Port	1319.72
DH7.15	DH 7.15SP	Deluxe HRV 30-160 CFM c/w Recirc. Damper	1348.95
SS3.80	SS3.80	Space Saving HRV Side Port 30-80 CFM	827.35
SS3.12SP	SS 3.12	Space Savings HRV Side Port 30-140 CFM	1091.40
SS3.12TP	SS 3.12	Space Savings HRV Top Port 30-140 CFM	1091.40
SS3.12DDSP	SS3.12DD	Space Savings HRV Side Port 30-140 CFM c/w Recirculation Damper	1150.48
SS3.12DDTP	SS3.12DD	Space Savings HRV Top Port 30-140 CFM c/w Recirculation Damper	1150.48

### STATIC HEAT RECOVERY VENTILATORS

<u>CODE</u>	<u>MODEL</u>	<u>DESCRIPTION</u>	<u>LIST PRICE</u>
SH0.8	SH 0.8	Static HRV 0-80 CFM Side Port	477.91
SH0.12	SH 0.12	Static HRV 0-120 CFM Side Port	641.86
SHM0.8	SHM 0.8	Static HRV 0-80 CFM c/w Motorized Damper	583.92
SHM0.12	SHM 0.12	Static HRV 0-120 CFM c/w Motorized Damper	738.34

### RESIDENTIAL ENERGY RECOVERY VENTILATORS - ERV

<u>CODE</u>	<u>MODEL</u>	<u>DESCRIPTION</u>	<u>LIST PRICE</u>
SS3.80	SS3.80FSD	Professional ERV 30-80 CFM	1118.72
PE7.15	PE 7.15ERV	Professional ERV 30-160 CFM	1490.11
PE10.22	PE 10.22ERV	Professional ERV 50-220 CFM	1951.58

**PH MODEL**



**PH MODEL**



**SS MODEL**



## Inland Metal

Sheet Metal Manufacturers & Custom Fabricators  
Wholesale Heating Supplies

Prices subject to change  
without notice

# GREENTEK

## HRV/ERV CONTROLS / ACCESSORIES

<u>CODE</u>	<u>DESCRIPTION</u>	<u>LIST PRICE</u>
101969	Vectouch - Electronic Wall Control 4 Wire	129.23
RD-1	Dehumidistat (2 Wire)	46.60
RD-2	Dehumidistat (4 Wire)	86.22
RD-3P	Dehumidistat for Professional Model (4 Wire) Features: Speed Control, Mode Control, Light on Override	107.69
RD-3D	Dehumidistat for Deluxe Model (4 Wire) Features: Speed Control, Mode Control, Light on Override	114.69
RD-4P	Dehumidistat for Professional Model (4 Wire) Features: Speed Control, Mode Control, Cycle per Hour, Light on Override, Maintenance Light	131.29
RD-4D	Dehumidistat for Deluxe Model (4 Wire) Features: Speed Control, Mode Control, Cycle per Hour, Light on Override, Maintenance Light	138.29
T-3	Push-Button Timer (3 Wire)	43.11
AFG6	Air Flow Grid 6" Greentek	120.75
AFG5	Air Flow Grid 5" Greentek	120.75
MATRIX	6" - 2 in 1 Ventilation Hood	145.00

## HEAT RECOVERY VENTILATOR - LCH SERIES LIGHT COMMERCIAL HRV

<u>CODE</u>	<u>DESCRIPTION</u>	<u>LIST PRICE</u>
LCH30700A	Commercial HRV 30-700 CFM Alum Core 14x8 Duct	4118.43
LCH30700B	Residential HRV 30-700 CFM Poly Core 14x8 Duct	3619.22
LCH701200A	Commercial HRV 70-1200 CFM Alum Core 20x8 Duct	6190.09
LCH701200B	Residential HRV 70-1200 CFM Poly Core 20x8 Duct	5690.91



**LCH 30.700 SERIES**



**LCH 70.1200 SERIES**

# Inland Metal

Sheet Metal Manufactures & Custom Fabricators  
Wholesale Heating Supplies

Prices subject to change  
without notice

# GREENTEK

## WHOLE HOUSE HEPA - FILTRATION SYSTEM

<u>CODE</u>	<u>MODEL</u>	<u>DESCRIPTION</u>	<u>LIST PRICE</u>
100487	HS 3.0	Hepa Plenum System Unit Duct Mount	861.54
100608	KCMH	Kit Collar Mount Hepa (8" Round Collars)	37.31
100596	PSKHS3.0	Pressure Switch Kit (For HS 3.0)	140.57

## REPLACEMENT PARTS

<u>CODE</u>	<u>MODEL</u>	<u>DESCRIPTION</u>	<u>LIST PRICE</u>
101090	HS 3.0	Hepa Pre & Carbon Replacement Filter Kit	68.69
101815	HS 3.0	Hepa Replacement Pre-Filter 12"x16"x2"	47.69
101813	HS 3.0	Hepa Replacement Hepa Filter 12"x16"x2"	177.85



**Inland Metal**

Sheet Metal Manufactures & Custom Fabricators  
Wholesale Heating Supplies

Prices subject to change  
without notice

# The **matrix**<sup>TM</sup> high performance ventilation hood



Introducing Imperial's **matrix**<sup>TM</sup>;  
 6" dia., 2 in 1 single port ventilation hood.

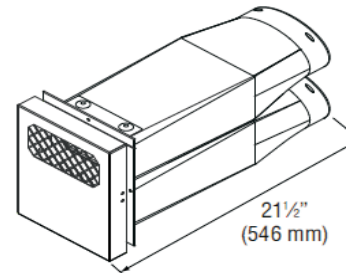
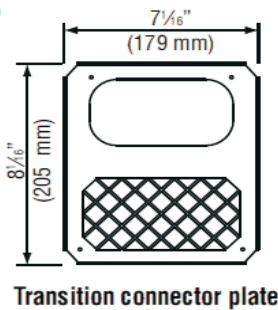
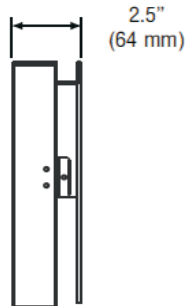
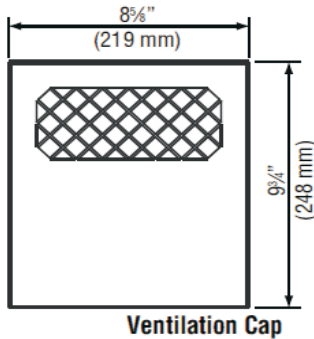
### Features & Benefits

- Low profile 2 in 1 ventilation hood
- Single port 7 1/16"(179 mm) x 8 1/16"(205 mm) to exterior wall
- Insulated transition duct connections (R 4,0 / UL 94 Rated)
- Simple & easy to install
- Oval 6" dia. connections
- Design for optimum airflow & minimum cross-contamination
- Ideal for HRV or ERV
- Residential or condo applications
- Durable powder coated white galvanize metal
- Screen design prevents birds & rodents from entering
- 100% U.V. Resistant
- Can be painted for colour choice
- Maximum efficiency
- Satisfaction guaranteed

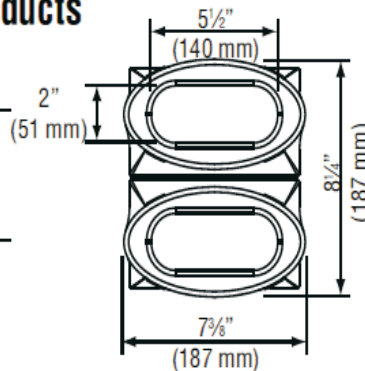
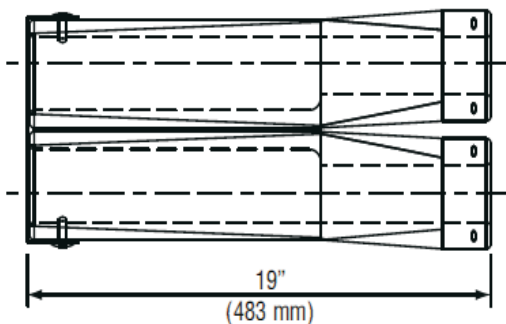


List Price \$145.00

### Dimensions - Ventilation cap & transition connector plate



### Clearance - Assembled transition ducts



### Specifications:

- Material:** 22g. Galvanized
- Finish:** UV Rated baked enamel
- Colour:** White
- Transition:** - UL 94 Rated  
 - Thermal Value R 4.0
- Net Weight:** 4.5 Lbs.
- Shipping Weight:** 5 Lbs.

## Inland Metal

Sheet Metal Manufactures & Custom Fabricators  
 Wholesale Heating Supplies

Prices subject to change  
 without notice

# AIR KING RANGE HOODS

<u>CODE</u>	<u>DESCRIPTION</u>	<u>DUCT</u> <u>SIZE</u>	<u>CFM</u>	<u>LIST PRICE</u>
AV1243	24" White	3 1/4 X 10	180	89.54
AV1303	30" White	3 1/4 X 10	180	85.17
AV1306	36" White	3 1/4 X 10	180	116.27
AV1423	42" White	3 1/4 X 10	180	124.01

\* ALL UNITS C/W LIGHT OUTLET/BACK DRAFT DAMPER

AVAILABLE IN ALMOND, BLACK, STAINLESS, BISCUIT

OTHER STYLES & MODELS AVAILABLE



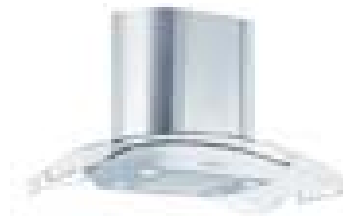
AV Series



HL Series



P Series



IB Series

## **Inland Metal**

Sheet Metal Manufactures & Custom Fabricators  
Wholesale Heating Supplies

Prices subject to change  
without notice

# AIR KING VENTILATION PRODUCTS

## AS SERIES - ADVANTAGE EXHAUST FANS

<u>CODE</u>	<u>EXHAUST CAPACITY</u>	<u>DUCT SIZE</u>	<u>AMPS</u>	<u>CFM/SONES @.1 WG</u>	<u>LIST PRICE</u>
AS50	45-60 SQ FT	3"	0.57	50/3.0	33.11
AS60	55-75 SQ FT	3"	0.57	60/4.0	45.34
AS70	65-85 SQ FT	3"	1.2	70/5.0	46.11
AS90	80-110 SQ FT	4"	0.45	90/2.5	114.62
AS120	110-150 SQ FT	4"	0.85	120/4.0	132.63

## ASF SERIES - ADVANTAGE EXHAUST LIGHT/FANS

<u>CODE</u>	<u>EXHAUST CAPACITY</u>	<u>DUCT SIZE</u>	<u>AMPS</u>	<u>CFM/SONES @.1 WG</u>	<u>LIST PRICE</u>
ASF50	45-60 SQ FT	4"	0.70	50/3.0	136.69
ASF70	65-80 SQ FT	4"	0.90	70/4.0	162.72

## BFQ SERIES - HIGH PERFORMANCE EXHAUST FAN

<u>CODE</u>	<u>EXHAUST CAPACITY</u>	<u>DUCT SIZE</u>	<u>CFM/SONES @.1 WG</u>	<u>LIST PRICE</u>
BFQ50	45-65 SQ FT	4"	50/1.0	66.22
BFQ75	65-85 SQ FT	4"	70/2.0	66.71
BFQ90	80-110 SQ FT	4"	90/2.5	71.60
BFQ110	90-125 SQ FT	4"	100/3.5	74.85
BFQ140	110-150 SQ FT	4"	120/4.0	78.11



**AS SERIES**



**BFQ SERIES**

# Inland Metal

Sheet Metal Manufacturers & Custom Fabricators  
Wholesale Heating Supplies

Prices subject to change  
without notice

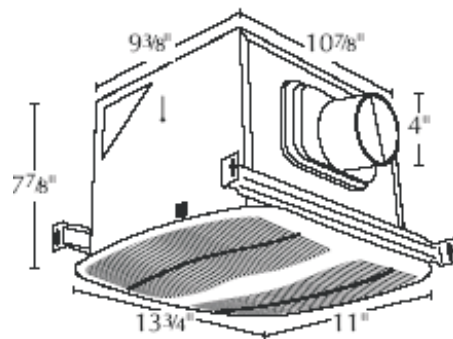
## AIR KING AK SERIES - QUIET EXHAUST FAN

<u>CODE</u>	<u>EXHAUST CAPACITY</u>	<u>DUCT SIZE</u>	<u>AMPS</u>	<u>CFM/ SONES</u>	<u>LIST PRICE</u>
AK50LS	40-60 SQ FT	4"	0.25	50/1.5	128.12
AK80LS	75-100 SQ FT	4"	0.25	80/1.6	168.89
AK110LS	100-135 SQ FT	4"	0.30	110/1.5	163.07
AK150LS	135-150 SQ FT	6"	0.55	150/1.5	232.95
AK200LS	190-230 SQ FT	6"	0.65	210/2.0	247.50
AK300LS	280-385 SQ FT	6"	0.75	310/3.5	256.24
AK80LS-1	75-100 SQ FT	4"	0.20	80/1.0	151.42
AK80	75-100 SQ FT	4"	0.30	80/1.5	131.03
AK90	80-110 SQ FT	4"	0.31	90/1.5	110.65
AK110PN	90-125 SQ FT	4"	0.31	100/1.5	133.94
AK110	100-135 SQ FT	4"	0.31	110/2.0	154.33
AK130	115-160 SQ FT	4"	0.50	130/2.5	244.62
AKF80LS	75-100 SQ FT	4"	0.75	80/0.8	258.18
AKF100LS	90-125 SQ FT	4"	0.85	100/1.5	292.00

**NOTE: ENERGY STAR - ULC RATED**

**NOTE: AK300LS, AK130 ARE NOT ENERGY STAR LABELLED**

**NOTE:AKF80LS & AKF100LS c/w Flourescent Light**



### Inland Metal

Sheet Metal Manufactures & Custom Fabricators  
Wholesale Heating Supplies

Prices subject to change  
without notice

# AIR KING VENTILATION PRODUCTS

## FRAS SERIES - FIRE RATED EXHAUST FANS

<u>CODE</u>	<u>DESCRIPTION</u>	<u>EXHAUST CAPACITY</u>	<u>DUCT SIZE</u>	<u>CFM/SONE @.1</u>	<u>LIST PRICE</u>
FRAS50	ADVANTAGE	45-60 SQ FT	3"	47/4.0	174.71
FRAS60	ADVANTAGE	55-75 SQ FT	3"	60/5.7	189.27
FRAS70	ADVANTAGE	65-85 SQ FT	3"	66/6.9	197.59
FRAS90	ADVANTAGE	80-110 SQ FT	4"	90/3.1	291.18
FRAS120	ADVANTAGE	110-150 SQ FT	4"	120/3.7	313.69
FRAK80	QUIET	75-100 SQ FT	4"	80/2.6	263.17
FRAK90	QUIET	80-110 SQ FT	4"	90/2.9	276.63
FRAK110	QUIET	100-135 SQ FT	4"	110/3.5	291.18
FRAK130	QUIET	115-160 SQ FT	4"	120/3.6	342.21

**NOTE: FRAK80 & FRAK90 ARE ENERGY STAR**

**WHEN FIRE CODES NEED TO BE MET, AIR KING FIRE RATED  
SERIES EXHAUST FANS ARE THE PERFECT SOLUTION**



**Inland Metal**

Sheet Metal Manufactures & Custom Fabricators  
Wholesale Heating Supplies

Prices subject to change  
without notice

## SUNCOURT INLINE FANS

<u>CODE</u>	<u>DESCRIPTION</u>	<u>LIST PRICE</u>
TF104	4" DIA 200 CFM	255.74
TF106	6" DIA 400 CFM	313.14
TF108	8" DIA 650 CFM	391.43
TF110	10" DIA 875 CFM	613.23
TF112	12" DIA 1125 CFM	821.98



### RADON MITIGATION FAN

<u>CODE</u>	<u>DESCRIPTION</u>	<u>CFM</u>	<u>VOLTAGE</u>	<u>LIST PRICE</u>
RDN04	4" DIAMETER c/w Mounting Hardware and 2 Rubber Cumplers	200 CFM	110 V	242.57



### DRYER BOOSTING KIT

<u>CODE</u>	<u>DESCRIPTION</u>	<u>CFM</u>	<u>VOLTAGE</u>	<u>LIST PRICE</u>
DRY04	4" DIAMETER	200 CFM	110 V	331.22
DRY06	6" DIAMETER	400 CFM	110 V	386.78



### THRUWALL FANS

<u>CODE</u>	<u>DESCRIPTION</u>	<u>CFM</u>	<u>VOLTAGE</u>	<u>LIST PRICE</u>
TWP208P	8" DIAMETER ADJ	200 CFM	110 V	130.62
TW108	8" DIAMETER 2 SPEED	160-200 CFM	110 V	95.00

NOTE: c/w Grilles Both Sides  
Wall Thickness 3 1/2" to 6 1/2"

\* 5 Year Warranty                      110 Volt Motors



## Inland Metal

Sheet Metal Manufactures & Custom Fabricators  
Wholesale Heating Supplies

Prices subject to change  
without notice

## SUNCOURT MOTORIZED DAMPERS

<u>CODE</u>	<u>DESCRIPTION</u>	<u>POWER OFF</u>	<u>LIST PRICE</u>
ZC105P	5" DIA Housing 8" Long	CLOSED	138.31
ZO105P	5" DIA Housing 8" Long	OPEN	138.31
ZC106P	6" DIA Housing 8" Long	CLOSED	138.31
ZO106P	6" DIA Housing 8" Long	OPEN	138.31
ZC108P	8" DIA Housing 8" Long	CLOSED	142.69
ZO108P	8" DIA Housing 8" Long	OPEN	142.69
ZC110P	10" DIA Housing 8" Long	CLOSED	155.38
ZO110P	10" DIA Housing 8" Long	OPEN	155.38
ZC112P	12" DIA Housing 8" Long	CLOSED	164.62
ZO112P	12" DIA Housing 8" Long	OPEN	164.62



### IN LINE BOOSTER FANS

<u>CODE</u>	<u>DESCRIPTION</u>	<u>CFM</u>	<u>VOLTAGE</u>	<u>LIST PRICE</u>
DB204P	4" DIA	65	110V	44.23
DB205P	5" DIA	140	110V	46.15
DB206P	6" DIA	160	110V	47.70
DB208P	8" DIA	210	110V	58.46



### ROUND BACKDRAFT DAMPERS

<u>CODE</u>	<u>DESCRIPTION</u>	<u>LIST PRICE</u>
RSK4	4" RD Duct	24.38
RSK5	5" RD Duct	30.15
RSK6	6" RD Duct	31.54
RSK8	8" RD Duct	47.31
RSK10	10" RD Duct	53.08
RSK12	12" RD Duct	71.92
RSK14	14" RD Duct	207.69
RSK16	16" RD Duct	250.77



## **Inland Metal**

Sheet Metal Manufacturers & Custom Fabricators  
Wholesale Heating Supplies

Prices subject to change  
without notice